



star
TSP100
futurePRNT

ECO

Star | TSP100 *futurePRNT* ECO

The World's 1st ECO POS Printer designed to reduce Global Warming and Operating Expenditure without costing you more

NEW Industry-leading 4 year limited Warranty on all *futurePRNT* models*

star

www.Star-EMEA.com

The World's 1st Dedicated ECO POS Printer helping to fight Climate Change & Save Costs.

Here at Star, we've put every waking hour into creating the world's first dedicated ECO POS printer. The TSP100 *futurePRNT* ECO is a POS solution that not only saves you money, but also helps fight climate change and reduce IT environmental impact.

The TSP100 Series offers speeds up to 250mm/second with the new TSP100 ECO producing high quality 203 dpi output at a fast 150mm/second. To put this into context the TSP100 ECO can produce a 9cm receipt just half a second slower than a more expensive, not so environmentally friendly 300mm/second printer.

Contact Star at futurePRNT.com to find out how you can evaluate the latest entry-level, receipt printer in the *futurePRNT* range. Offering fast, efficient POS service as well as a unique range of ECO tools and features; all with a manufacturer's pre-paid Carbon Offset program at NO extra cost to you.



JAVAPOS™

 Compatible with  

 WHQL 

OPOS  

ESC/POS™

 Compatibility with most major operating systems



Easy-Load "Drop-In & Print", in either the standard horizontal or space-saving vertical position



Full-speed USB interface with serial port emulator for legacy software



Wall mount bracket included with printer at purchase



Robust, high speed guillotine cutter for increased reliability



Optional charcoal grey display stand with in-store A5 graphics facility



Splash Proof Cover option adds extra protection



Value-Added Marketing & Set-up tools that show your business in its best light.

The key to *futurePRNT's* success to date is the combination of a unique software driven, high quality printer sold at an entry-level price with ground-breaking Retail & Set-up software included in the box.

Create branded and motivating receipts to inspire customers to return with *futurePRNT's* **Receipt Redesign Tools** including:

The **Image Import Tool** can take non pre-sized mono or colour bmps, jpgs or gifs and resize / re-dither to the retailer's satisfaction using the **Receipt Pre-View Tool**.

The **Receipt Cropping Tool**, **Font Replacement Tool**, **Coupon Marketing Tool** and **Text Trigger Tool** all work independently of current retail software allowing customers to pre-determine words to "trigger" coupons and graphics, as well as reshape receipts in up to 18 European languages.

The **Journal and Multi-Copy Tool** truly demonstrates the versatility of Star software. Not only can the user determine how many copies should be printed, but they can also specify the different text and graphics per copy - perfect for DIY stores, pizza delivery houses etc. The **Journal Function** is for use with software which has no internal electronic journal or where a 2 part dot matrix was previously used.

Reduce multiple printer installation and maintenance time using the **Pre-Installation Set-Up Tool** saving all printer settings, logos, coupons on the PC itself. The TSP100 Series are the only printers in the world that never need to be taken out of the box and pre-configured before on-site installation.

The **Auto-Text Reversal™ Tool**, receipts can easily be turned upside down for user comfort when wall mounted by simply ticking a box in the software or Windows™ printer properties pages.

Further details on all these tools can be found on our website at www.futurePRNT.com



Change the "look" of your receipts without changing your software!



NEW ECO Tools & Features now included in *futurePRNT* Software for the new TSP100 ECO Series.

Star has endeavoured to build this printer with every ECO advantage. It is a well-known fact that printers permanently left powered-on waste power. However, it is not so well-known that most of the CO₂ damage caused by any POS printer is actually due to the paper consumed.

Star has therefore researched and put in place unique paper saving features that could help the retailer use **up to 70% less receipt paper**. This not only reduces paper costs but means less frequent paper roll changes at the checkout, lower transportation and logistics costs – basically a win-win situation for the planet and the retailer.

Unique Partial Cut 3mm Default Top Margin

This is not rocket science, but so obvious and so necessary. Star's innovative and experienced engineering expertise has resulted in the TSP100 ECO being the only partial cut printer able to achieve a 3mm Top Margin saving 8mm of paper for every receipt printed.

Just calculate the savings yourself. Some competitors cannot even achieve an 11mm Top Margin, so please check this very carefully when comparing competitive POS printers.

11mm

Greene & Brown's
THE ORGANIC PROVISIONS PEOPLE

Date: 17/11/10 20.26

1 x Marmalade	£3.00
1 x Fish Pie	£4.80
2 x Miso Soup	£3.50
1 x Veg Gyoza	£2.50
1 x Cider	£3.50

3mm default

Greene & Brown's
THE ORGANIC PROVISIONS PEOPLE

Date: 17/11/10 20.26

1 x Marmalade	£3.00
1 x Fish Pie	£4.80
2 x Miso Soup	£3.50
1 x Veg Gyoza	£2.50
1 x Cider	£3.50
1 x Organic Ale	£3.20
1 x Sourdough	£3.65
1 x Passata sauce	£5.50

80mm - 58mm Auto Reduction without changing original POS Software

The TSP100 ECO can automatically reduce receipts from an 80mm wide format to 58mm without changing the customer's original software set-up. Simply tick the required paper reduction in the ECO *futurePRNT* software and you can choose whether to reduce the receipt vertically or horizontally, or both to 72.5% horizontally and 50% vertically.



ECO Settings

Auto Reduction Setting

Paper width used

Receipt length reduction

Top Margin to First Line

Top Margin to First Line

80mm

100%

58mm

50%

72.5%

White Mushrooms	1.29
Smoked Salmon	4.99
Baked Beans in Tom Sauce 840g	1.25
Macaroni Cheese 400g	0.93
Gazpacho Soup 745g	3.39
Echo Falls Shiraz 75cl	5.49
After Shave Conditioning Gel	3.49
Fairtrade Bananas	0.99
Organic Skimmed Milk 1L	0.99
Soya Light Milk 1L	1.28
6 Yorkshire Puddings 180g	3.39
Chicken Stock	2.48
Arborio Risotto Rice 500g	2.94
Egg Noodles Medium 300g	1.21
Giant Couscous 300g	1.99
Extra Virgin Olive Oil 1L	7.39
Chocolate Malt Syrup 623g	3.89
Dried Organic Basil 12g	1.89
Grilled Piquillo Peppers 225g	1.98
Sourdough 400g	2.99
Large White Pitta Bread 6	0.89

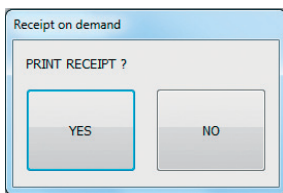
Reduce your receipts & paper usage without changing your current POS Software.



TSP100 ECO Series.

Receipts On Demand Printing

Once again Star has used the clever *futurePRNT* software to produce an **Operator Prompt** to ask the customer whether they need a receipt or not. The receipt can then be either cancelled or printed, perfect for low cost, consumable items such as newspapers, fast food etc. as the receipts are often left behind. All cancelled receipts can be saved graphically and be reviewed or reprinted. *(Note: not all countries will allow this feature so the software may be modified on a regional basis).*



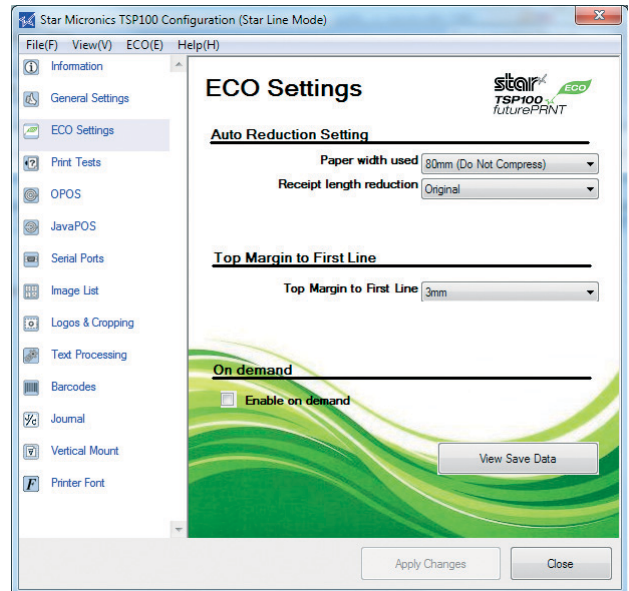
What's in the Box?

Star, as today's most innovative POS printer manufacturer, was the 1st manufacturer to include all installation accessories in the box increasing customer convenience and reducing packaging. (Please see back page for details).

Star has now taken this one step further by eliminating all polystyrene from the box and replacing it with innovative and ethically sourced cardboard packaging. Even the printer's plastic case is made of halogen-free recyclable plastic.

Pre-Installation Set-up Tool

Reduce multiple printer installation and maintenance time using the **Pre-Installation Set-Up Tool** saving all printer settings, logos, coupons on the PC itself. The printer does not need to be taken out of the box and pre-configured before on-site installation.





Use the TSP100 ECO Guilt-Free.

Here at Star, we've built our reputation on producing high quality POS printing solutions at low prices. And, with the launch of the TSP100 *futurePRNT* ECO, we've taken that commitment on in leaps and bounds by creating a POS printer that's not only friendlier on the pocket but also on the environment too.

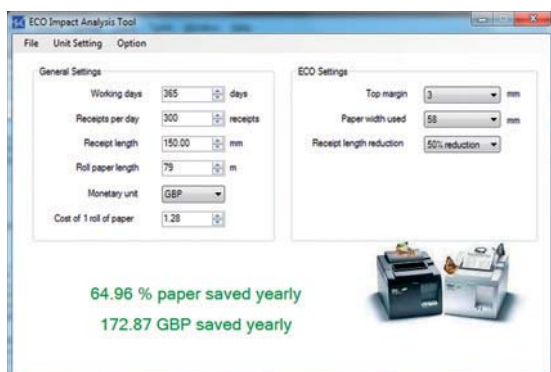
Carbon offsetting is the responsible way to compensate for the unavoidable CO₂ emissions from our daily lives and economic activities by supporting the projects that deliver the equivalent CO₂ savings elsewhere.

Star Micronics has therefore purchased Certified Emission Reductions (CERS) carbon credits derived from the Clean Development Mechanism (CDM) projects as defined by the Kyoto Protocol and registered by CDM Executive Board of UN. The carbon credits purchased will offset the CO₂ emissions emitted from the TSP100 ECO manufacturing & disposal process and projected power consumption for up to 5 years (total 33.9 kg/unit). The CERS used will then be cancelled to complete the offsetting process.

More details can be found on www.futurePRNT.com including the opportunity to register all ECO printer purchases and print certificates to show how your company is helping to minimize environmental damage from IT activities.

Star ECO Impact Analysis Tool

Work out how much money and environmental damage you can save by using the Star Impact Analysis Tool in Euros, Dollars, Sterling or Yen!

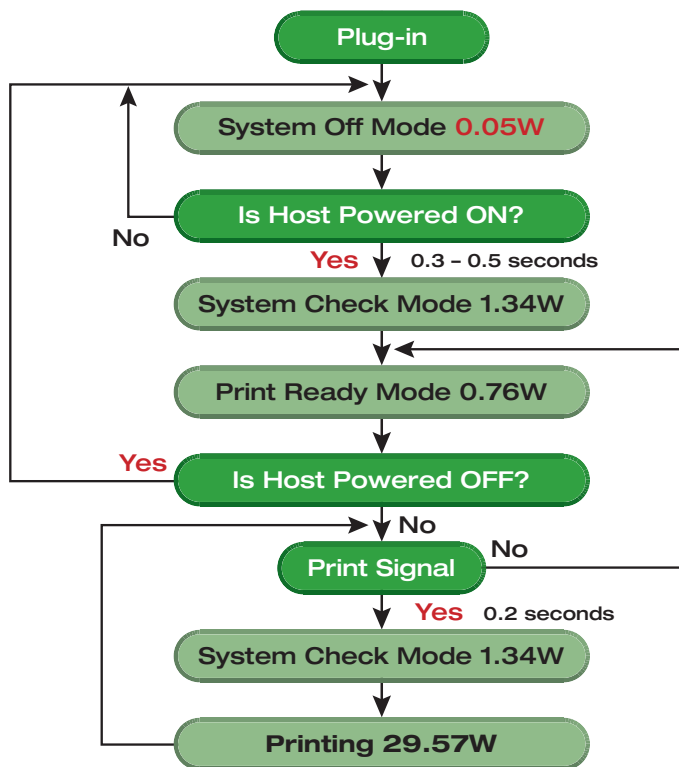


More details on www.futurePRNT.com



TSP100. ECO Power Management.

Inspired by the Cheetah, nature's greatest exponent of energy efficiency, we've put every waking hour into creating the most environmentally friendly POS printer money can buy. The TSP100 ECO uses up to 40% less power than the majority of competitive printers available today.



Those clever engineers at Star have designed this printer to correspond directly to the PC it has been attached to. Users will first of all notice that there is no power switch and that the printer can only be turned on by actually attaching the included USB cable to the printer and PC / terminal. The printer will only activate when the PC / terminal is powered up otherwise it can remain in standby mode, thus saving power.

Most POS printers spend the major part of a day drawing current, but not printing. Star's new power efficient method means the printer will revert with the PC to a very low powered standby mode when not in use, "instantly" waking up when needed saving costs and power usage.

The TSP100 ECO is fully Energy Star compliant.



New Industry-leading 4 year limited Warranty on all *futurePRNT* Series including print head and cutter.
(*Europe, Middle East and South Africa)

www.futurePRNT.com

TSP100 futurePRNT™ Series Summary

NEW TSP143 ECO

150mm/second Autocutter USB model

TSP113 GT

250mm/second USB Tear Bar model

TSP143 GT

250mm/second USB Autocutter model

TSP113 LAN

125mm/second Ethernet Tear Bar model

TSP143 LAN

125mm/second Ethernet Autocutter model

TSP113 PUBS

125mm/second PoweredUSB Tear Bar model

TSP143 PUBS

125mm/second PoweredUSB Autocutter model

TSP113 U

125mm/second USB Tear Bar model



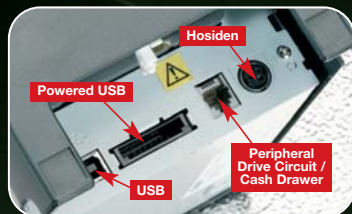
TSP100 GT

Original 250mm per second USB version of the TSP100 futurePRNT Series with full gloss Piano Black or Ice White Casing and power / USB cables included at purchase.



TSP100 LAN

The world's first entry-level dedicated Ethernet printer with LAN cable included.



TSP100 Powered USB

The world's first entry-level dedicated PoweredUSB printer able to use either standard USB and hosiden connector power cable or Powered USB cable combining both functions. (Please note there are no power or interface cables included in the box with the PUBS model.)

Technical Specifications

Printer Method	Direct Thermal Line Printing
Traditional Print Speed	TSP100 ECO – 150mm / second TSP100U, TSP100PUSB, TSP100LAN – 125mm / second, TSP100GT – 250mm / second
Printer Case Colour	TSP143 ECO, TSP100U, TSP100LAN, TSP100PUSB Star White or Charcoal Grey. Other colours available for larger volume orders. TSP100GT full gloss Piano Black or Ice White
Print Resolution	203 dpi (8 dots per mm)
Two Colour Print Capability	Red / Black, Blue / Black (special paper required)
No. of Columns (maximum)	Star Mode = 48. ESC/POS™ Font A 42 Font B 56
Character Set	ANK 95, 32 Int 128 Graphic plus Chinese, Japanese, Korean, Taiwanese
International Code Pages	Star Mode = 40 + 1 blank, ESC/POS™ Mode = 10 + 1 blank allowing an additional character page to be added
Barcodes	Extended barcode functionality – 9 versions including QR (PDF417 & Maxicode pending)
Line Spacing	3mm or 4mm + programmable
Paper Specifications:	
Width	80mm Standard, 58mm with guide fitted
Thickness / Weight	0.065mm ~ 0.085mm
Roll Diameter	up to 83mm
Easy-Load	"Drop-In & Print"
Paper Out Sensor	Standard
Maximum Print Width	80mm paper = 72mm, 58mm paper = 50.8mm
Top Margin	TSP100 ECO 3mm default with 11mm selectable option. All other TSP100 models 11mm
Autocutter	Guillotine (Partial Cut Only)
Logo Store Capacity	Unlimited
Drivers Available	Windows™ 7 (+64bit support) / Vista™ (+64 bit) / 2000 / XP / XP Embedded / WePOS / CE, Windows™ 98/ME/NT4 (download only), Linux™, Mac OS X, OPOS™, Java-POS™, CUPS™, POS for.Net, USB Vendor Class, Star IO
Interface / Port:	All models feature a selectable "Virtual" Serial Port emulator
TSP100U / GT / ECO	USB 2.0 Full Speed with cable supplied
TSP100LAN	Ethernet (10/100BaseT, UTP) with cable supplied
TSP100 Powered USB	Combined Power and USB cable version (cables not supplied)
Emulation	Star Mode, ESC/POS™
Peripheral Drive Circuit	2 circuits (24V max.1A), 1 Compulsion input
Power Consumption	TSP100 ECO please see page 3 All other TSP100 models Average 1.6amp. Printing, 0.1 Amp. Standby.
Power Supply	Internal with power cable supplied (not TSP100PUSB)
Operating / Storage Conditions:	
Temperature	5°C to 45°C / -20°C to 60°C
Humidity	10% to 90% RH (without condensation)
Dimensions	142mm (W) x 204mm (D) x 132mm (H)
Weight:	
Autocutter Models (Guillotine)	TSP143U – 1.73Kg, TSP143GT – 1.76Kg, TSP143PUSB – 1.53Kg, TSP143LAN – 1.72Kg, TSP143 ECO – 1.72Kg
Tear Bar Models	TSP113U – 1.56Kg, TSP113GT – 1.59Kg, TSP113PUSB – 1.37Kg, TSP113LAN – 1.56Kg
Safety Standards	UL, C-UL, TÜV, FCC, VCCI, EN55022, CE
Reliability:	
MCBF	60 million lines
Print head	100km
Cutter (Guillotine)	1 million cuts
Accessories included with the printer	Wall Mount Bracket Auto-Reverse Text Output Software Vertical Upper Guide (TSP100 ECO only) 58mm Paper Guide 1.8m Interface Cable 1.8m Power Cable Installation CD and futurePRNT Retail Marketing and Set-up Software (Interface and Power cables not included with PUBS versions)
Options	Splash Proof Cover Display Stand for Vertical Use

This flyer has been printed on recycled paper made from sustainable sources. Star has also encouraged the electronic distribution of this flyer to further reduce environmental damage.

Star Micronics EMEA, Star House, Peregrine Business Park, Gomm Road, High Wycombe Bucks, HP13 7DL, UK Telephone: +44 (0)1494 471111 Email: sales@Star-EMEA.com

star

www.Star-EMEA.com